



POSIglaze

1.50kN **FRAMELESS** glass **BALUSTRADE**

Contents

POSIglaze INTRODUCTION	04
POSIglaze KEY BENEFITS	06
POSIglaze APPLICATIONS	08
TECHNICAL DRAWINGS	10
POSIglaze PRODUCT RANGE	12
POSIglaze ACCESSORIES	14
POSIglaze TIMBER FIXING	16
POSIglaze BALCONY SEAL	17
INSTALLATION GUIDE	18
ACCREDITATIONS	20
OTHER PRODUCTS	22

Manufacturer Information www.pure-vista.com
+44 (0)1208 261 040
sales@pure-vista.com



Adjustable frameless
glass balustrade for
domestic to light
commercial
environments



POSIglaze
INTRODUCTION



POSIglaze is one of the most technically advanced aluminum balustrade systems on the market today.

Easily identified by its characteristic triangular-hollowed core, which provides an incredible strength to weight ratio. POSIglaze is able to achieve up to 1.50kN line load resistance when used with glass panels up to 1200mm high, making it a highly adaptable balustrade system suitable for use as edge protection in both domestic and commercial installations.

POSIglaze was the first fully adjustable balustrade system to enter the balustrade marketplace. The system benefits from patented screw-clamp technology, whereby two screws either side of the glass clamp are adjusted to enable up to a 2-degree tilt in the glass. This means that when fitting the channel to an uneven surface, the angle of the channel can be countered by the adjustment of the glass.

POSIglaze has been designed with ease of fitting in mind. It is a dry-glazed balustrade system so there

is no need to apply messy pouring sealants within the installation. This also means that it is simple to change the glass at any time, if required. To fit glass into the channel, the glass is clamped first which provides protection for the bottom edge as it is manoeuvred into place. The clamped glass is neatly aligned within the channel before bars and bolts are fitted to the clamps to secure the glass in place.

As one of the most popular balustrade systems in use, POSIglaze is compatible with a wide range of finishing accessories including top trim, end caps plus 90 and 135-degree pre-fabricated corners. The POSIglaze channel is available with a choice of fixing options as well as in a choice of finishes, to suit a wide variety of projects and installation environments.



POSIGLAZE

KEY BENEFITS



**FAST AND EASY TO
INSTALL AND ADJUST**

One of the most simple balustrade systems to fit and adjust thanks to its patented screw-clamp technology. Dry glazed where no specialist tools are required. Glass can easily be removed and replaced if required.

**ACCREDITED TO 1.50kN
TO BS 6180:2011**

POSIglaze is accredited and approved by multiple organisations to verify that it meets national and international building regulations for use as edge protection, where up to 1.50kN force loading is required.

**LIGHTWEIGHT AND
STRONG**

Precision engineered using extruded aluminum with a geometrically hollowed out core; providing an incredible strength to weight ratio. For added protection POSIglaze is anodised to 25 microns.

**APPROPRIATE FOR
DOMESTIC AND
COMMERCIAL**

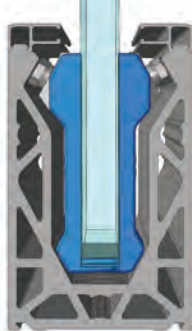
With 0.36kN to 1.50kN force loading capability, POSIglaze is a domestic to light commercial crossover product, making it an appropriate choice for a wide range of installations.

**CAN BE USED WITH A
WIDE RANGE OF GLASS
TYPES**

POSIglaze is a highly versatile product which can be used with glass thicknesses ranging from 12mm - 21.5mm, using either toughened glass, toughened laminate glass or SentryGlas.

**SUITABLE FOR USE ON
UNEVEN SURFACES**

POSIglaze benefits from two-sided screw-clamp technology that provides a 2° adjustment angle on either side of the glass, enabling perfect alignment of each glass panel. This adjustment capability is illustrated in the diagrams below.



POSIglaze

APPLICATIONS





POSIglaze is extremely versatile, achieving force load resistance from 0.36kN to 1.50kN, making it suitable for domestic to light commercial installations.

Since no posts or handrail are required with **POSIglaze** (depending on local building regulations), the fully installed product looks amazing and provides a completely uninterrupted view. This makes **POSIglaze** a popular choice for homeowners looking

for a decking or balcony balustrade, and it is growing in popularity for indoor use around staircases and mezzanines. Other domestic applications of **POSIglaze** include Juliet balconies, garden privacy screening, partitions and balcony windbreaks.

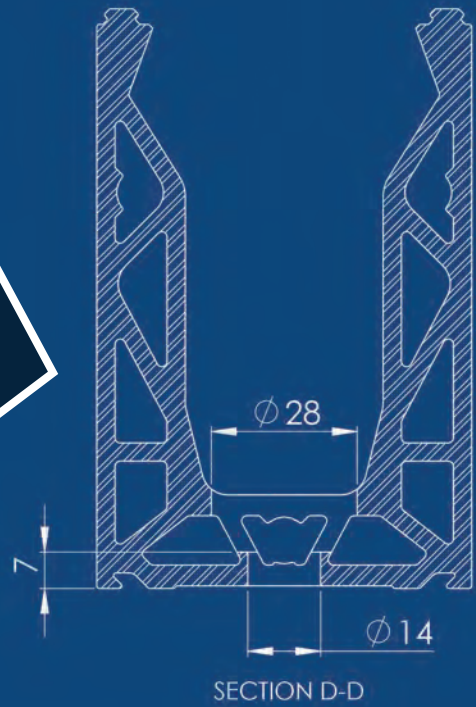
In a light-commercial environment, such as a bar, restaurant, retail environment, offices or other venues which aren't susceptible to overcrowding, **POSIglaze** can be installed internally or externally as

a room divider, defined walkway, edge protection or windbreak. **POSIglaze** has also been used in museums to protect exhibits, where a completely transparent barrier is required.

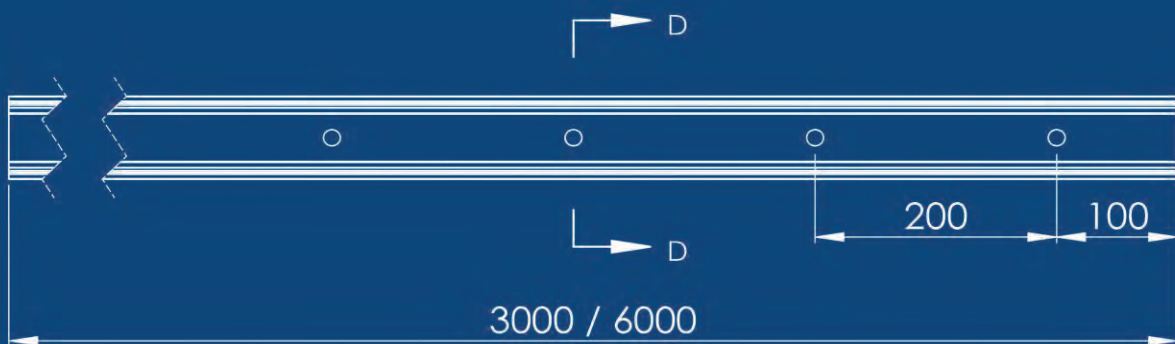
When balustrade is needed for a public space that is susceptible to overcrowding, a heavy-commercial balustrade system is required to meet the 3.00kN loading requirement. Page 35 gives details of a product called **MEGA**grip, which is suitable for this purpose.

POSIGLAZE

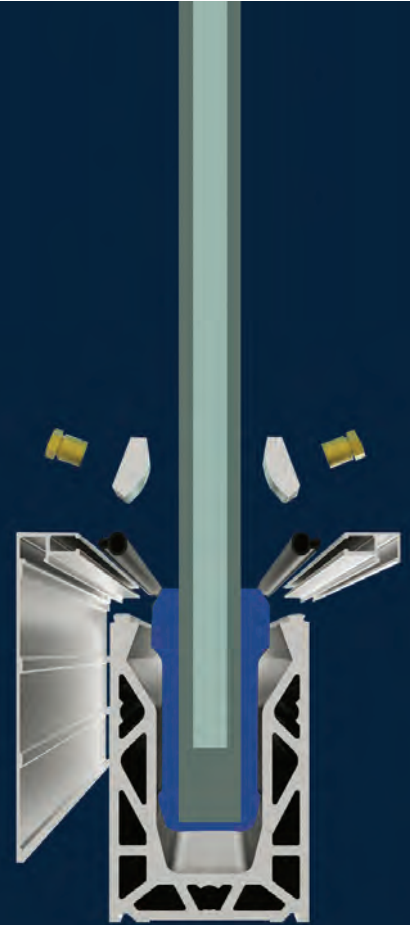
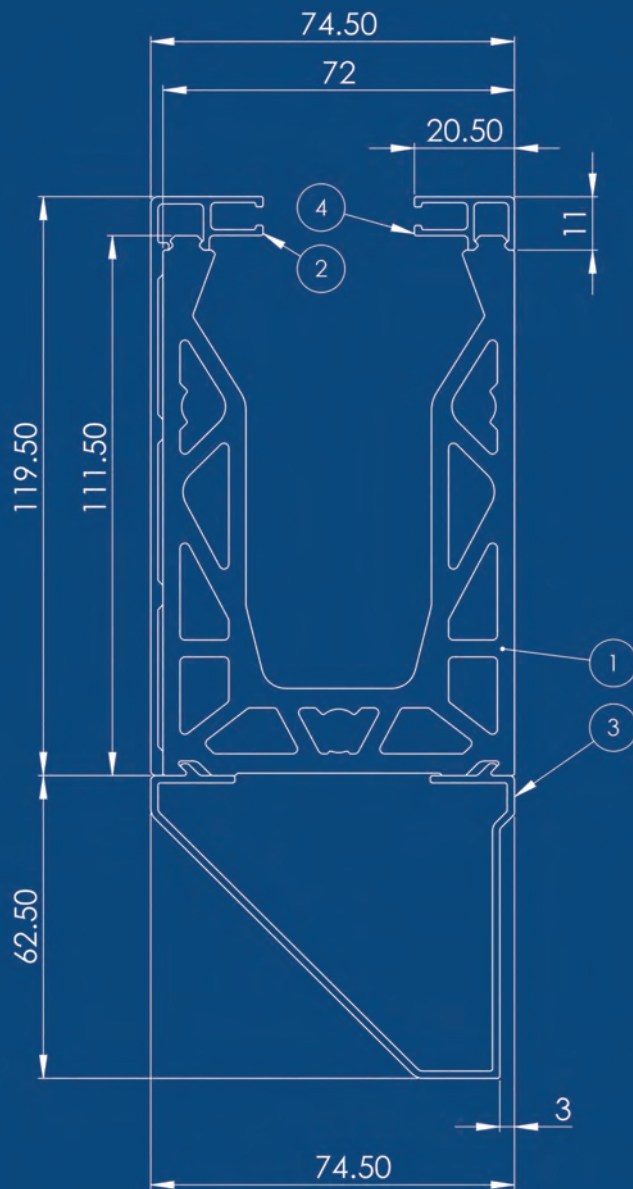
TECHNICAL DRAWINGS



- 1.
- 2.



3. 4.



1. POSIglaze base mounted channel dimensions

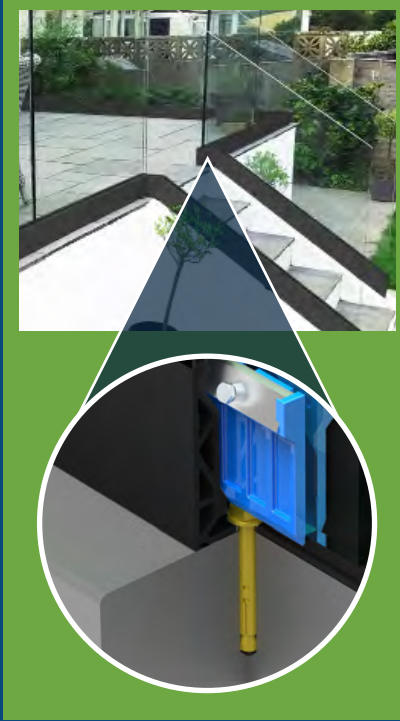
2. POSIglaze bolt hole centres

3. POSIglaze side mounted channel dimensions, with aluminum top bead, side and base cladding

4. POSIglaze exploded diagram

POSIglaze
PRODUCT RANGE





The POSIglaze range includes two colour and two mounting options.

✓ **BLACK BRUSHED**

A contemporary matt black brushed effect aluminum channel with matching accessories. Available as base mount only.

✓ **SILVER BRUSHED**

A silver brushed stainless steel effect aluminum channel with matching accessories. Available in side or base mount; the side mounted channel comes in a natural finish.

✓ **BASE MOUNT**

The most popular fixing choice is a base-mounted channel, fixed to your concrete or steel substrate through drill holes in the base of the channel. Available in both black brushed and silver brushed finishes.

✓ **SIDE MOUNT**

For when your balustrade needs to be side fixed, the side-mounted channel has drill holes in the side. Available in a natural anodised finish with silver brushed cladding.

✓ **TIMBER FIXING PLATE**

With the majority of houses being of timber framed construction this Timber Fixing Plate allows the installation of Frameless Glass Balustrade. These plates have a 20 microns thick zinc plating which makes them suitable for outdoor use. Compatible with POSI base fix channels and Balcony Seal.

POSIglaze

ACCESSORIES

1. Balcony Seal Kit
2. Silver brushed knock-in end cap
3. Silver brushed side cladding
4. Co-extruded gasket
5. Channel joining dowels
6. Timber Fixing Plate
7. Drain block
8. Silver brushed cladding insert top bead



Timber Fixing Plate[®]

The patented Pure Vista Timber Fixing Plate has been designed to provide a solid fixing where the substrate is timber.

It is a square plate with a threaded sleeve in the centre which holds on to the balustrade channel. The Timber Fixing Plates are fixed to the timber using 4 6x100mm wood screws. The plates have a 20 microns thick zinc plating which makes them suitable for outdoor use.

With the majority of houses being of timber framed construction this allows the design of a building to incorporate the correct sized framework is included for the installation of a glass balcony.

New decking areas can be designed with the right sized timber to accommodate the timber fitting plate or existing can be bolstered up to suit. A minimum 100mm width and 120mm depth is required.

It is possible to rebate squares out of the timber to recess the Timber Fixing Plates, lay the waterproof membrane over the top and use the BalconySeal[®] system on the top for a waterproof installation. The timber plates have been tested to suit domestic balustrade/balconies up to 1200mm high (0.74kN line load to BS 6180).



Timber fitting plate[®] FITTING INSTRUCTIONS

1. Drill the bolt holes
2. Position the timber mounting plates
3. Screw the plates to the timber
4. Continue to install POSIglaze as normal

Balcony Seal®

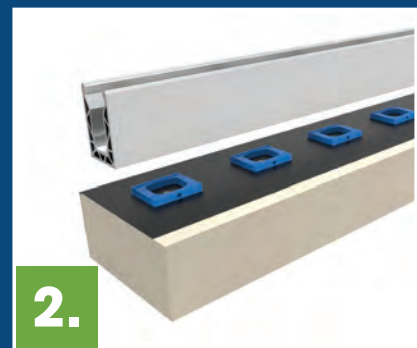
Balcony Seal® is a revolutionary product which provides water drainage and waterproofing on any exterior POSIglaze installation.

Whether you're retro-fitting balustrade to an existing balcony or installing to a new build, careful consideration should be taken to prevent water ingress into the fabric of the building. Typically, this will happen for two reasons; firstly, if no appropriate water drainage solution is in place and secondly, if the balustrade channel fixing points have not been properly sealed. If water is allowed to pool on a flat roof, it will find the easiest infiltration points to drain through, such as a bolt hole, causing potentially costly and damaging water ingress issues.

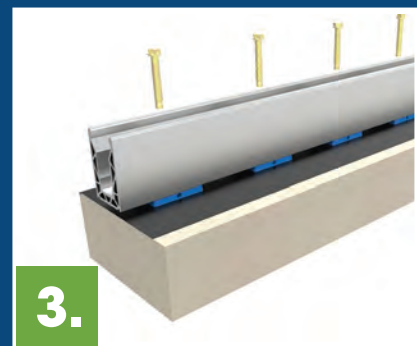
Most balconies and flat roofs are built with a slight pitch to encourage rainwater to drain towards the edge of the roof. In these cases, the balustrade installer needs to allow for drainage points under the channel, to avoid water pooling around the edge of it. The Balcony Seal® system works by subtly raising the POSIglaze channel a few millimeters above the substrate on drain blocks. Notches on the top side of the drain blocks locate into the rebates of the POSIglaze channel, locking it into position before the system is bolt-fixed to the substrate through each block. The gaps between the drain blocks are your water drainage channels. The drain blocks are subsequently filled with sealant to create a fully waterproofed balustrade installation.



1.



2.



3.



4.

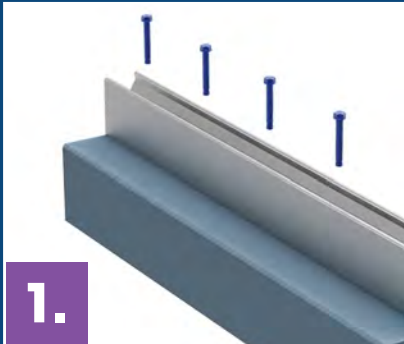
BALCONY SEAL® FITTING INSTRUCTIONS

1. Place the drain blocks under the channel
2. Lay the channel on top of the drain blocks
3. Fix the channel through the drain blocks
4. Fill the blocks with Balcony Seal® sealant

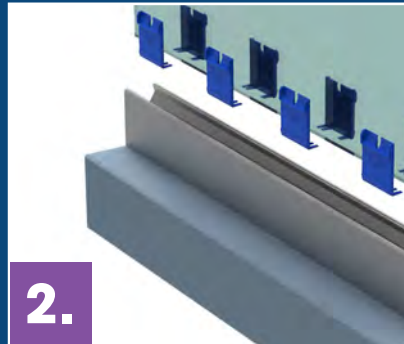
POSIglaze

INSTALLATION GUIDE

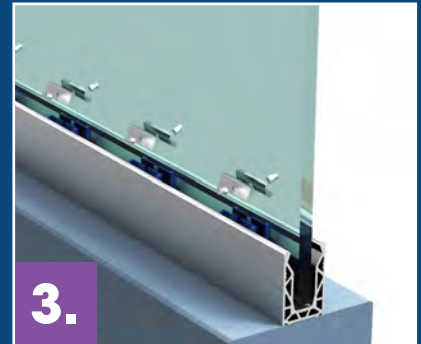




1.



2.



3.



4.



5.



6.

POSIglaze is one of the most simple balustrade systems to install and adjust thanks to its patented screw-clamp technology. These step by step instructions guide you through the installation process.

1. FIT THE CHANNEL

Drill bolt holes into your substrate starting at 100mm from the first edge and then at 200mm intervals thereafter. Lay the channel on top aligning the channel holes with your drilled holes. Fix in place with an appropriate screw or bolt.

2. CLAMP THE GLASS

Make up the clamps by slotting the left and right hand sides together. Clamp these to the bottom edge of the glass panel at 250mm intervals, starting at 125mm from the first edge (if using 4 clamps per metre). Squeeze the clamps tight around the glass and position the panel into the balustrade channel.

3. FIT THE BOLTS

Slide the aluminium bars curved side down into the recess at the top of each clamp, on both sides of the glass. Loosely screw the bolts into the bars.

4. ADJUST THE GLASS

With the bolts loosely in place, the glass panel will be able to move a few millimetres in either direction. Align the panel as required, then tighten the bolts using an angled spanner. Use a threadlocker for added security.

5. ADD TOP BEAD

Top bead and gasket simply slide or clip onto the top edge of the channel for a tidy finish.

6. FINISH INSTALLATION

Your installation is now complete!

POSIglaze

ACCREDITATIONS



The table to the right shows the line loading that POSIglaze is certified to achieve.

These tests have been conducted in accordance with **BS6180:2011** to certify that **POSIglaze** meets the force loading requirement under this British standard for a range of glass height and thickness configurations.

The logos above indicate other standard bodies who have certified that **POSIglaze** meets building regulations in their regions.

		Glass Type >		12mm Toughened Glass		13.5mm SentryGlas		15mm Toughened Glass		17.5mm Toughened PVB		19mm Toughened Glass		21.5mm Toughened PVB		21.5mm SentryGlas		
		Glass Height (mm) >		1100	1200	1100	1200	1100	1200	1100	1200	1100	1200	1100	1350	1100	1200	
0.36kN Line Load	Base Mounted	Concrete	200mm Bolt Holes	✓		✓		✓		✓	✓					✓	✓	
			400mm Bolt Holes	✓		✓		✓		✓								
		Steel	200mm Bolt Holes	✓	✓	✓	✓	✓		✓	✓			✓	✓	✓		
			400mm Bolt Holes	✓	✓	✓	✓	✓		✓	✓							
	Side Mounted	Concrete	200mm Bolt Holes	✓		✓		✓		✓	✓					✓	✓	
			400mm Bolt Holes	✓		✓		✓		✓								
		Steel	200mm Bolt Holes	✓	✓	✓		✓		✓	✓					✓	✓	
			400mm Bolt Holes	✓	✓	✓		✓		✓								
0.74kN Line Load	Base Mounted	Concrete	200mm Bolt Holes					✓		✓	✓			✓		✓	✓	
			400mm Bolt Holes					✓					✓					
		Steel	200mm Bolt Holes					✓		✓	✓			✓	✓	✓		
			400mm Bolt Holes					✓										
	Side Mounted	Timber*	200mm Bolt Holes	✓	✓	✓	✓	✓	✓	✓	✓	✓	✓	✓				
			*using Timber Fixing Plates															
		Concrete	200mm Bolt Holes					✓					✓			✓	✓	
			400mm Bolt Holes					✓					✓					
	Steel	200mm Bolt Holes					✓					✓			✓	✓		
		400mm Bolt Holes					✓					✓						
	1.50kN Line Load	Base Mounted	Concrete	200mm Bolt Holes									✓			✓	✓	
				400mm Bolt Holes														
Steel		200mm Bolt Holes										✓			✓			
		400mm Bolt Holes																
Side Mounted		Concrete	200mm Bolt Holes													✓	✓	
			400mm Bolt Holes															
Steel	200mm Bolt Holes													✓	✓			
	400mm Bolt Holes																	

PUREVISTA

OTHER PRODUCTS



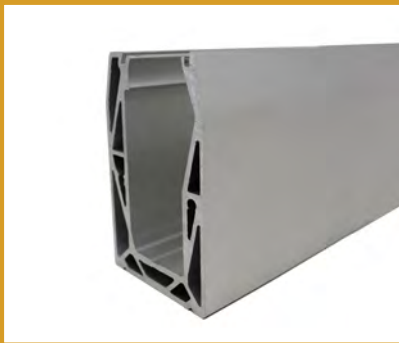
ACCESSORIES

At Pure Vista we manufacture and supply everything you need to install your glass balustrade system, from bolts to cladding and end caps to drain blocks. We also supply BALCONYseal® kits, to ensure that outdoor balustrade installations are kept watertight. You will also find some standard tools in our web shop, although these can also be obtained from any good DIY store.



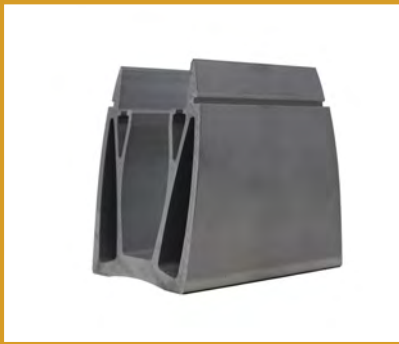
POSIONE

Popular for domestic to light commercial projects, POSlone is **one-side-fit**. Achieving up to 1.50kN and can be used on un-even surfaces, with a range of glass sizes, thanks to it's unique adjustment capabilities. Compatible with Balcony seal and has adjustment capabilities of up to 20mm each way.



SPIG-LITE^{advanced}

Very easy to stock, dispatch and install due to it being a spigot-based, as opposed to channel-based, configuration. Ideal for domestic installations where up to 0.74kN force loading capability is required. Without a channel, there is a greater percentage of glass visible to maximise your view and the individual spigots allow for free flow water drainage making this system perfect for wet areas such as a poolside.



MEGA^{grip}

MEGA^{grip} is a heavy-duty and fully adjustable 3.00kN commercial balustrade system, designed as a highly-durable public safety barrier for large commercial constructs. Using a variation of the screw-clamp technology to secure the glass in place, the system requires a 13mm Hex Bolt and ¼ inch torque wrench and extension arm to tighten the bolts, for a quick and simple installation.



If you would like to speak with the team at Pure Vista please email us on sales@pure-vista.com, call us on 01208 261040 or visit the website www.pure-vista.com.

